

# Cyrovial

(#43111/43021/43012/43112/43022/43113/43023/44112/44022/43032)

## 1. Description

Cyrovials are designed for storage of cells, specimens and solutions. SPL Life Sciences provides two different cap types (External & Internal) for multiple purposes. Use only in a vapor phase of liquid nitrogen.

## 2. Features

- ❖ Use only in vapor phase of liquid nitrogen
- ❖ Self-standing bottom
- ❖ Packed in re-closeable zip-lock pack
- ❖ Temperature range: -196 ~ +121°C
- ❖ Without silicon washer (Cat. No. 43012)
- ❖ Amber type (Cat. No. 44112, 44022)
- ❖ Vial Cap Inserts: Available in 5 colors (Cat. No. 43032)
- ❖ Recommended volume (Cat. No. 43113, 43023): 4.50 ml

## 3. Functional Test

Non - pyrogenic	:	Passed
Non - cytotoxic	:	Passed
DNase / RNase - free	:	Passed
Human DNA - free	:	Passed

## 4. Product Range

Cat. No.	Material	Cap Type	Bottom Type	Color	Total Volume (ml)	External Dimension (mm)	Washer	Sterilized	Packaging
43111	PP	External	Conical	Clear	1.20	13.10 x 42.50	+	+	50 / 500
43021	PP	Internal	Conical	Clear	1.20	13.10 x 42.50	+	+	50 / 500
43012	PP	External	Round	Clear	1.80	13.10 x 45.50	-	+	50 / 500
43112	PP	External	Round	Clear	1.80	13.10 x 47.80	+	+	50 / 500
43022	PP	Internal	Round	Clear	1.80	13.10 x 49.70	+	+	50 / 500
43113	PP	External	Round	Clear	5.00	13.10 x 92.00	+	+	50 / 500
43023	PP	Internal	Round	Clear	5.00	13.10 x 92.00	+	+	50 / 500
44112	PP	External	Round	Amber	1.80	13.10 x 47.80	+	+	50 / 500
44022	PP	Internal	Round	Amber	1.80	13.10 x 49.70	+	+	50 / 500
43032	PP	Cap Insert	-	5 color	-	10.40	-	-	100 / 500

## 5. Certification

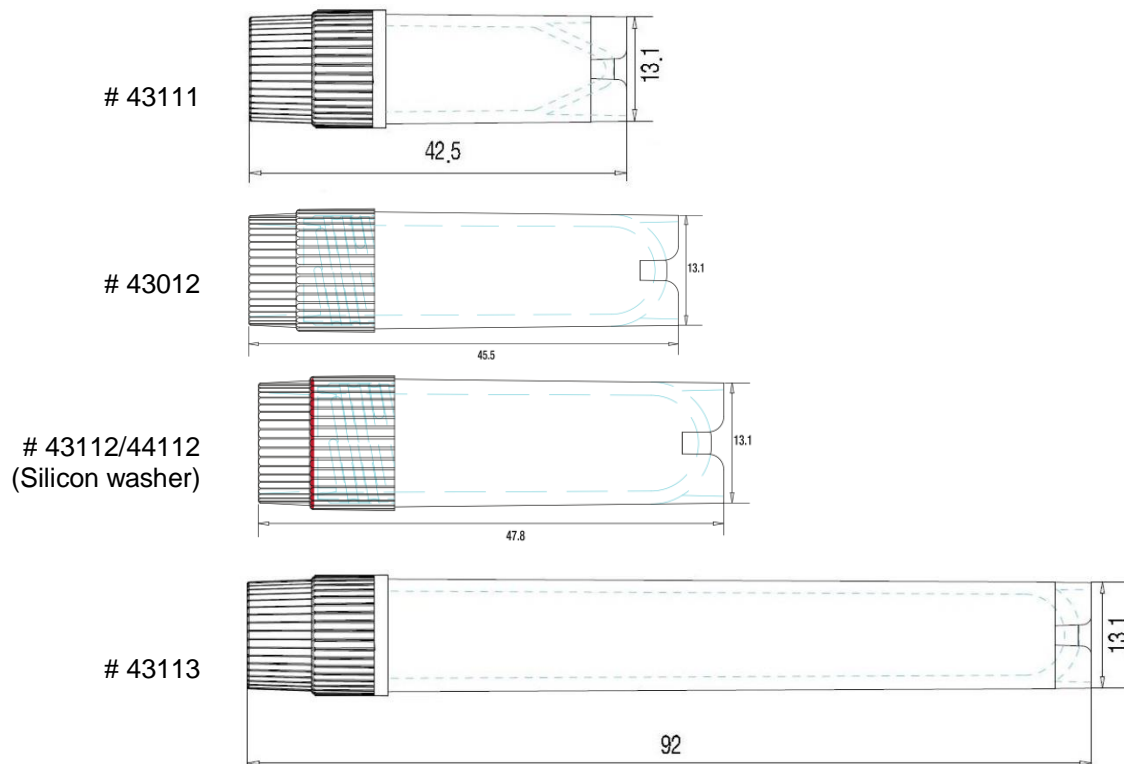
SPL Life Sciences hereby certifies that the product identified above, inspected to be in compliance with product quality specification and requirements as documented in our ISO 9001:2015 Quality Management System (K-QA-Q031478) in Korea.

## 6. Specifications & Technical Drawing

### (1) External Cap Cryovial (# 43111/43012/43112/43113/44112) - Specifications

Cat. No.	Dimensions	Material (Resin)	Packaging
# 43111	Diameter: 13.10 mm Height: 42.50 mm Volume: 1.20 ml	Polypropyrene (PP)	<ul style="list-style-type: none"> <li>▪ Pieces/Sleeve: 50</li> <li>▪ Pieces/Case: 500</li> </ul>
# 43012	Diameter: 13.10 mm Height: 45.50 mm Volume: 1.80 ml		
# 43112/44112	Diameter: 13.10 mm Height: 47.80 mm Volume: 1.80 ml		
# 43113	Diameter: 13.10 mm Height: 92.00 mm Volume: 5.00 ml		

### - Technical Drawing

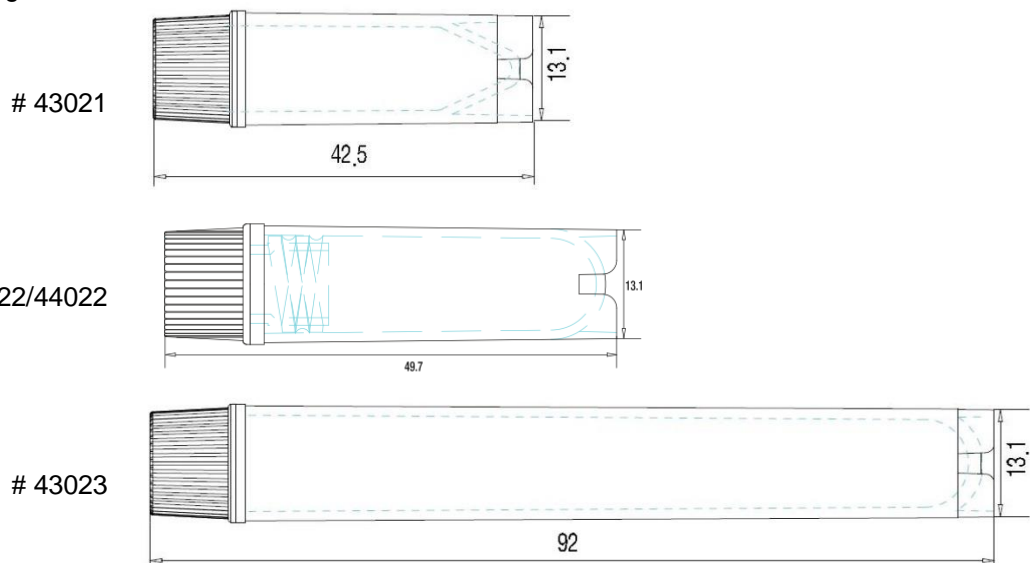


### (2) Internal Cap Cryovial (# 43021/43022/43023/44022) - Specifications

Cat. No.	Dimensions	Material (Resin)	Packaging
# 43021	Diameter: 13.10 mm Height: 42.50 mm Volume: 1.20 ml	Polypropyrene (PP)	<ul style="list-style-type: none"> <li>▪ Pieces/Sleeve: 50</li> <li>▪ Pieces/Case: 500</li> </ul>
# 43022/44022	Diameter: 13.10 mm Height: 49.70 mm Volume: 1.80 ml		
# 43023	Diameter: 13.10 mm Height: 92.00 mm Volume: 5.00 ml		

SPL-TDS-CRY

## - Technical Drawing



[www.spllifesciences.com](http://www.spllifesciences.com)

For technical assistance, contact SPL R&D Center at:

Tel: +82-31-533-4800; Fax: +82-31-533-1430; e-mail: [spl@ispl.co.kr](mailto:spl@ispl.co.kr)

To place an order, contact your local distributor or

Tel: +82-31-533-4800; Fax: +82-31-533-1430; e-mail: [business@ispl.co.kr](mailto:business@ispl.co.kr)

SPL-TDS-CRY

*For Research Use Only. Not intended for use in diagnostic or therapeutic procedures.*  
© SPL Life Sciences Co., Ltd., Version 4, Nov 7<sup>th</sup>, 2019